



Optimal agility in confined working areas

- Progressive electric drive AC motors
- Zero tail swing & tight turning radius
- 3m outreach vertical jib

Minimal maintenance & downtime

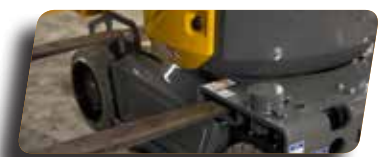
- Maintenance free brushless AC motors
- On-board diagnostic tool
- Centralized battery filling

Longer life time

- New unbreakable hoods in composite material
- Durability multiplied by 3 on pins, bushes, non-painted parts and fastening hardware

Smart transportability

- Versatile and effective transport solutions with forklift tine pockets
- 25% gradeability to easily climb truck ramps



Haulotte 
GROUP

More than lifting

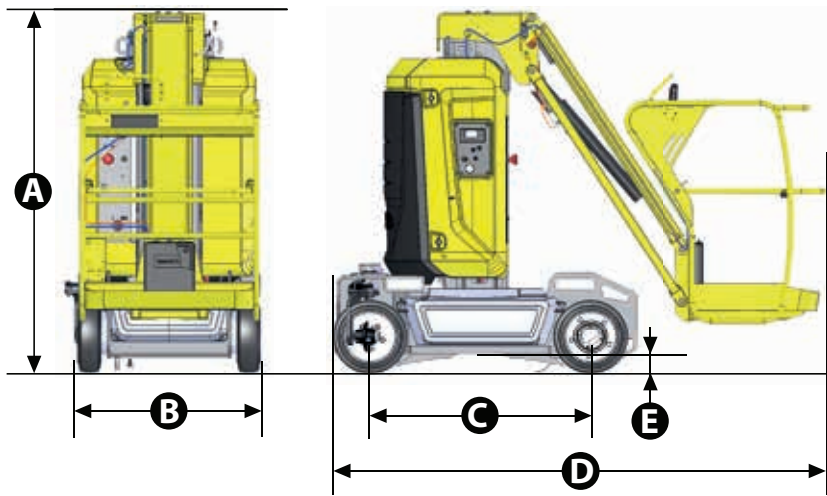
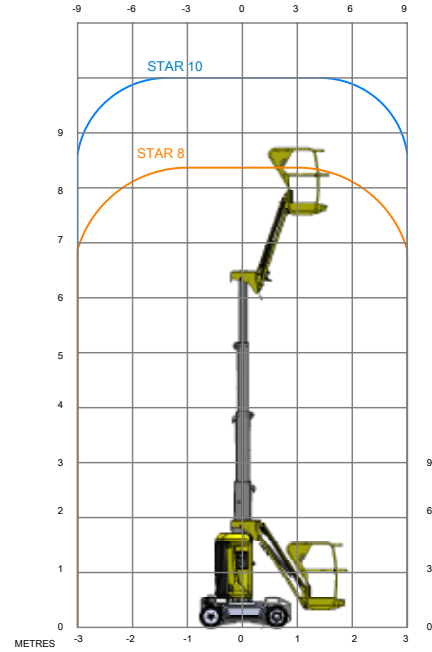


STAR 8 / STAR 10

VERTICAL MASTS

TECHNICAL DATA

	STAR 8	STAR 10
Working height	8.7 m	10 m
Platform height	6.7 m	8 m
Horizontal outreach	3 m	3 m
Lift capacity	200 kg	200 kg
Platform size	0.78 x 0,98 m	0.78 x 0,98 m
D Length	2.7 m	2.7 m
B Width	1 m	1 m
A Height - stowed	1.99 m	1.99 m
Tailswing	0 cm	0 cm
C Wheelbase	1.2 m	1.2 m
E Ground clearance	10 cm	10 cm
Driveable at full height up to	6.7 m	8 m
Drive speed proportional	0.6 - 5 km/h	0.6 - 5 km/h
Turning radius - outside	1.88 m	1.88 m
Turntable rotation	345°	345°
Vertical jib rotation	130° (+70°/-60°)	130° (+70°/-60°)
Tires - non marking	16x5x10.5	16x5x10.5
Tilt alarm	3 °	3 °
Gradeability	25 %	25 %
Hydraulic system capacity	7 l	7 l
Power source	24 V - 250 Ah	24 V - 250 Ah
Weight	2 585 kg	2 677 kg



STANDARD EQUIPMENT

- 24 V electric drive brushless AC motors
- 24 V – 250 Ah traction batteries
- 35 A battery charger
- Battery charge indicator
- On-board diagnostic tool Haulotte Activ'Screen
- Centralised battery filling
- Forklift tine pockets
- Towing hooks and lifting eyes
- Passive potholes
- 2 rear steering wheels
- 2 front driving wheels
- Non-marking tires
- Brake release
- Hourmeter
- Horn
- Emergency stop buttons at cage and ground level
- Load controller in the platform
- Emergency hand pump
- 2 control stations at cage and ground level
- 2 rings in the platform for safety harnesses
- Travel alarm

OPTIONS ET ACCESSORIES

- Maintenance-free batteries
- Swing door entry gate
- Haulotte ACTIV'SHIELD™ Bar
- Flashing light
- Working light
- Power line in platform
- Air line in platform
- Hydraulic oil for cold countries
- Biodegradable oil

2420327190 - Non contractual document - We reserve the right to modify the technical characteristics of this document without notice - 05/2015