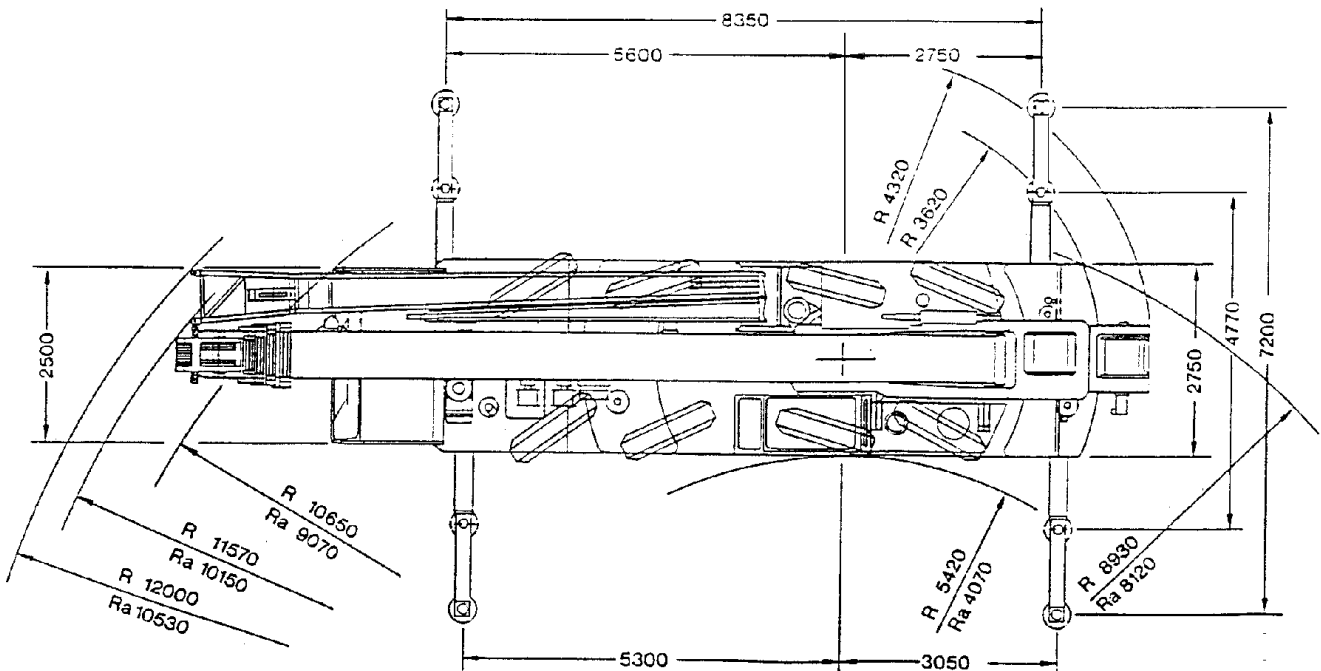
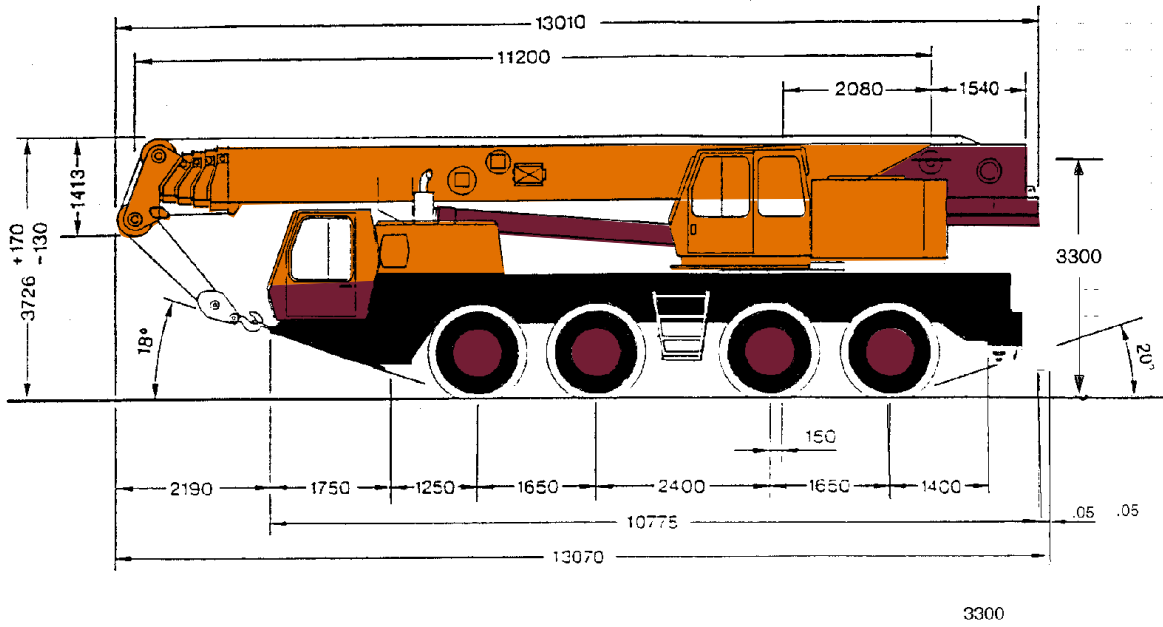


# KRUPP GMK 4080

## 80 Tonne Mobile Hydraulic Crane

### GENERAL DIMENSIONS



Ra, ra = Radius allradgelenkt  
 Radius all wheels steered  
 Rayon toutes les roues directrices

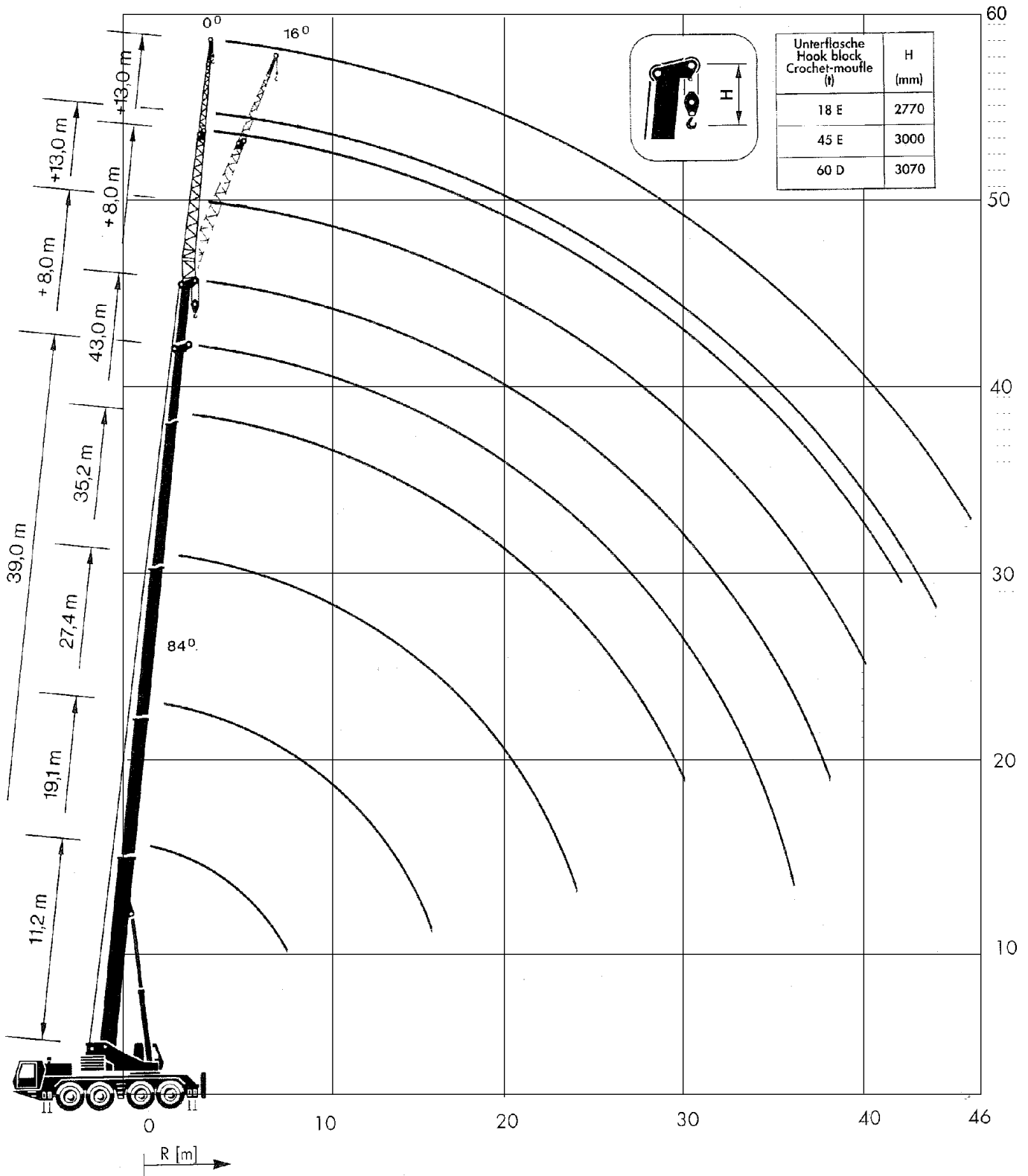


# KRUPP GMK 4080

## 80 Tonne Mobile Hydraulic Crane



### WORKING RANGE





# KRUPP GMK 4080

## 80 Tonne Mobile Hydraulic Crane



Crane with 15,8 t counterweight (Supporting span 8,35 x 7,20 m)												
	Main boom - fixed lengths in m											
	11.2	11.2	19.0	19.2	22.9	27.0	27.1	27.4	34.9	35.2	39.0	43.0
Slewing Range	to the rear	360°										
Tel. sec. I	0.0	0.0	1.0	0.0	1.0	1.0	0.0	0.0	1.0	0.0	1.0	1.0
Tel. sec. II	0.0	0.0	0.0	0.5	0.5	0.5	1.0	0.0	1.0	1.0	1.0	1.0
Tel. sec. III	0.0	0.0	0.0	0.5	0.0	0.5	1.0	1.0	1.0	1.0	1.0	1.0
Tel. sec. IV	0.0	0.0	0.0	0.0	0.0	0.0	0.0	1.0	0.0	1.0	0.5	1.0
Radius in m	Lifting capacity in tonne											
3.0	80.0	65.5										
4.0	68.2	55.2	51.5	32.0	32.0							
5.0	58.3	46.7	44.7	32.0	32.0	32.0	24.0	13.0				
6.0	47.6	40.3	39.2	32.0	32.0	28.8	22.2	13.0	17.0			
7.0	40.0	35.3	34.1	32.0	29.1	25.9	19.8	13.0	17.0	13.0	13.0	
8.0	33.2	31.2	30.1	30.0	26.3	23.3	17.9	13.0	17.0	13.0	13.0	
9.0			25.5	27.4	23.9	21.1	16.2	12.0	16.5	13.0	13.0	11.0
10.0			21.1	23.1	21.2	19.2	14.8	11.0	15.2	12.5	13.0	11.0
11.0			17.8	19.7	17.9	17.6	13.6	10.0	14.0	11.6	13.0	11.0
12.0			15.2	17.0	15.4	15.9	12.5	9.3	13.0	10.7	12.3	11.0
13.0			13.1	14.9	13.3	13.9	11.6	8.6	12.1	9.9	11.5	11.0
14.0			11.4	13.2	11.5	12.1	10.8	8.0	11.2	9.2	10.7	11.0
15.0			9.9	11.7	10.0	10.6	10.1	7.5	10.5	8.5	10.0	10.0
16.0			8.6	10.4	8.8	9.3	9.4	7.0	9.7	7.9	9.4	9.2
18.0					6.8	7.3	8.2	6.3	7.7	6.9	8.2	7.9
20.0					5.2	5.8	7.0	5.7	6.1	6.1	6.6	7.0
22.0						4.5	5.7	5.2	4.9	5.5	5.4	5.8
24.0						3.5	4.7	4.7	3.9	5.0	4.4	4.7
26.0									3.0	4.6	3.5	3.9
28.0									2.3	4.0	2.8	3.2
30.0									1.7	3.4	2.2	2.6
32.0											1.7	2.0
34.0											1.2	1.6
36.0											0.8	1.2
38.0												0.8
SLI Code	411	410										



# KRUPP GMK 4080

## 80 Tonne Mobile Hydraulic Crane



Crane with 9,6 t counterweight (Supporting span 8,35 x 7,20 m)												
Main boom - fixed lengths in m												
	11.2	11.2	19.0	19.2	22.9	27.0	27.1	27.4	34.9	35.2	39.0	43.0
Slewing Range	to the rear	360°										
Tel. sec. I	0.0	0.0	1.0	0.0	1.0	1.0	0.0	0.0	1.0	0.0	1.0	1.0
Tel. sec. II	0.0	0.0	0.0	0.5	0.5	0.5	1.0	0.0	1.0	1.0	1.0	1.0
Tel. sec. III	0.0	0.0	0.0	0.5	0.0	0.5	1.0	1.0	1.0	1.0	1.0	1.0
Tel. sec. IV	0.0	0.0	0.0	0.0	0.0	0.0	0.0	1.0	0.0	1.0	0.5	1.0
Radius in m	Lifting capacity in tonne											
3.0	80.0	65.6										
4.0	69.6	54.5	51.5	32.0	32.0							
5.0	55.2	46.1	44.7	32.0	32.0	32.0	24.0	13.0				
6.0	45.1	39.8	38.6	32.0	32.0	28.8	22.2	13.0	17.0			
7.0	35.8	34.6	33.0	32.0	29.1	25.9	19.8	13.0	17.0	13.0	13.0	
8.0	27.8	27.8	26.2	28.5	26.3	23.3	17.9	13.0	17.0	13.0	13.0	
9.0			21.0	23.1	21.1	21.1	16.2	12.0	16.5	13.0	13.0	11.0
10.0			17.2	19.2	17.4	18.0	14.8	11.0	15.2	12.5	13.0	11.0
11.0			14.4	16.3	14.5	15.2	13.6	10.0	14.0	11.6	13.0	11.0
12.0			12.1	14.0	12.3	12.9	12.5	9.3	13.0	10.7	12.3	11.0
13.0			10.3	12.2	10.4	11.1	11.6	8.6	11.5	9.9	11.5	11.0
14.0			8.8	10.7	8.9	9.5	10.8	8.0	9.9	9.2	10.5	10.9
15.0			7.4	9.4	7.6	8.2	9.6	7.5	8.6	8.5	9.2	9.6
16.0			6.3	8.2	6.5	7.1	8.4	7.0	7.5	7.9	8.1	8.5
18.0					4.7	5.3	6.6	6.3	5.6	6.9	6.2	6.6
20.0					3.3	3.9	5.1	5.7	4.3	6.1	4.8	5.2
22.0						2.8	4.0	5.2	3.2	5.0	3.7	4.1
24.0						2.0	3.2	4.7	2.3	4.1	2.8	3.2
26.0									1.6	3.3	2.1	2.5
28.0										2.7	1.5	1.9
30.0										2.2		1.3
SLI Code	311	310										



# KRUPP GMK 4080

## 80 Tonne Mobile Hydraulic Crane



Crane with 15,8 t counterweight (Supporting span 8,35 x 4,77 m)											
	Main boom - fixed lengths in m										
	11.2	19.0	19.2	22.9	27.0	27.1	27.4	34.9	35.2	39.0	43.0
Slewing Range	360°										
Tel. sec. I	0.0	1.0	0.0	1.0	1.0	0.0	0.0	1.0	0.0	1.0	1.0
Tel. sec. II	0.0	0.0	0.5	0.5	0.5	1.0	0.0	1.0	1.0	1.0	1.0
Tel. sec. III	0.0	0.0	0.5	0.0	0.5	1.0	1.0	1.0	1.0	1.0	1.0
Tel. sec. IV	0.0	0.0	0.0	0.0	0.0	0.0	1.0	0.0	1.0	0.5	1.0
Radius in m	Lifting capacity in tonne										
3.0	59.0										
4.0	48.7	47.6	32.0	32.0							
5.0	41.2	40.1	32.0	32.0	32.0	24.0	13.0				
6.0	34.3	32.4	32.0	32.0	28.8	22.2	13.0	17.0			
7.0	25.8	24.2	26.5	24.4	25.1	19.8	13.0	17.0	13.0	13.0	
8.0	20.4	18.9	21.0	19.1	19.7	17.9	13.0	17.0	13.0	13.0	
9.0		15.2	17.1	15.3	16.0	16.2	12.0	16.4	13.0	13.0	11.0
10.0		12.4	14.3	12.5	13.2	14.5	11.0	13.6	12.5	13.0	11.0
11.0		10.2	12.1	10.3	11.0	12.3	10.0	11.4	11.6	12.0	11.0
12.0		8.5	10.4	8.6	9.2	10.6	9.3	9.6	10.7	10.2	10.7
13.0		7.1	8.9	7.2	7.8	9.1	8.6	8.2	9.9	8.8	9.2
14.0		5.9	7.7	6.0	6.6	7.9	8.0	7.0	8.9	7.5	8.0
15.0		4.9	6.7	5.1	5.6	6.9	7.5	6.0	7.8	6.5	6.9
16.0		4.1	5.8	4.2	4.8	6.0	7.0	5.1	7.0	5.7	6.1
18.0				2.9	3.4	4.6	6.1	3.7	5.5	4.3	4.6
20.0				1.8	2.3	3.5	5.0	2.7	4.4	3.2	3.6
22.0					1.5	2.6	4.1	1.8	3.5	2.3	2.7
24.0					0.8	1.9	3.4	1.1	2.8	1.6	2.0
26.0								0.5	2.2	1.0	1.4
28.0									1.7	0.5	0.9
30.0									1.3		
SLI Code	412										



# KRUPP GMK 4080

## 80 Tonne Mobile Hydraulic Crane

TELARC  
REGISTERED  
SUPPLIER

Crane with 15,8 t counterweight (Supporting span 8,35 x 7,20 m)							
Lengths of swing-away lattice extension 8,0 m							
Angle of swing-away lattice extension 0°							
Main boom - fixed lengths in m							
	27.0	27.1	30.9	34.9	35.2	39.0	43.0
Tel. sec. I	1.0	0.0	1.0	1.0	0.0	1.0	1.0
Tel. sec. II	0.5	1.0	1.0	1.0	1.0	1.0	1.0
Tel. sec. III	0.5	1.0	0.5	1.0	1.0	1.0	1.0
Tel. sec. IV	0.0	0.0	0.0	0.0	1.0	0.5	1.0
Stewing range	360°						
Radius in m	Lifting capacity in t						
4.0	12.4						
5.0	12.4	12.4	12.0	10.0	8.0		
6.0	12.4	12.4	12.0	10.0	8.0	8.1	
7.0	12.1	11.7	11.9	10.0	8.0	8.1	5.5
8.0	11.4	11.0	11.2	10.0	8.0	8.1	5.5
9.0	10.7	10.4	10.7	10.0	8.0	8.1	5.5
10.0	10.1	9.8	10.1	9.8	8.0	8.1	5.5
11.0	9.6	9.3	9.7	9.4	8.0	8.1	5.5
12.0	9.0	8.8	9.2	9.1	8.0	8.1	5.5
13.0	8.6	8.4	8.8	8.7	7.9	8.1	5.5
14.0	8.1	8.0	8.4	8.4	7.6	7.9	5.5
15.0	7.8	7.6	8.1	8.1	7.3	7.7	5.5
16.0	7.4	7.3	7.7	7.8	6.9	7.5	5.5
18.0	6.8	6.7	7.2	7.3	6.3	7.1	5.5
20.0	6.3	6.0	6.3	6.9	5.5	6.8	5.5
22.0	5.7	5.5	5.1	5.6	5.0	5.9	5.5
24.0	4.7	5.0	4.1	4.6	4.5	4.9	5.1
26.0	3.8	4.6	3.3	3.8	4.1	4.0	4.3
28.0	3.1	3.9	2.6	3.0	3.7	3.3	3.6
30.0	2.5	3.3	2.0	2.4	3.3	2.7	2.9
32.0		2.8	1.5	1.9	3.1	2.1	2.4
34.0			1.0	1.4	2.8	1.7	1.9
36.0				1.0	2.3	1.2	1.5
38.0				0,6	2.0	0.9	1.1
40.0					1.6	0.6	0.8
42.0							0.5
SLI Code	420						



# KRUPP GMK 4080

## 80 Tonne Mobile Hydraulic Crane



Crane with 15,8 t counterweight (Supporting span 8,35 x 7,20 m)							
Lengths of swing-away lattice extension 8,0 m							
Angle of swing-away lattice extension 16°							
Main boom - fixed lengths in m							
	27.0	27.1	30.9	34.9	35.2	39.0	43.0
Tel. sec. I	1.0	0.0	1.0	1.0	0.0	1.0	1.0
Tel. sec. II	0.5	1.0	1.0	1.0	1.0	1.0	1.0
Tel. sec. III	0.5	1.0	0.5	1.0	1.0	1.0	1.0
Tel. sec. IV	0.0	0.0	0.0	0.0	1.0	0.5	1.0
Slewing range	360°						
Radius in m	Lifting capacity in t						
5.0	9.0	8.8					
6.0	8.5	8.4	8.4	8.2			
7.0	8.1	8.0	8.1	7.9	7.4	7.4	
8.0	7.8	7.7	7.8	7.7	7.2	7.3	5.6
9.0	7.5	7.4	7.5	7.4	6.9	7.1	5.6
10.0	7.2	7.1	7.2	7.2	6.8	6.9	5.6
11.0	6.9	6.8	7.0	7.0	6.5	6.7	5.6
12.0	6.6	6.6	6.8	6.8	6.2	6.6	5.6
13.0	6.3	6.2	6.6	6.6	6.0	6.3	5.6
14.0	6.0	5.9	6.3	6.4	5.9	6.0	5.6
15.0	5.8	5.7	6.1	6.1	5.7	5.9	5.6
16.0	5.6	5.6	5.8	5.9	5.6	5.8	5.5
18.0	5.3	5.3	5.5	5.6	5.3	5.5	5.4
20.0	5.0	5.0	5.2	5.3	5.1	5.3	5.2
22.0	4.8	4.8	5.0	5.1	4.8	5.1	5.0
24.0	4.6	4.6	4.4	4.9	4.5	4.9	4.9
26.0	4.0	4.4	3.5	4.0	4.1	4.3	4.5
28.0	3.2	4.1	2.8	3.2	3.8	3.5	3.8
30.0	2.5	3.4	2.1	2.6	3.4	2.9	3.1
32.0	1.9	2.8	1.6	2.0	3.1	2.3	2.6
34.0			1.1	1.5	2.8	1.8	2.1
36.0				1.1	2.4	1.4	1.6
38.0				0.7	2.0	1.0	1.3
40.0					1.6	0.6	0.9
42.0							0.6
SLU Code	421						



# KRUPP GMK 4080

## 80 Tonne Mobile Hydraulic Crane



Crane with 15,8 t counterweight (Supporting span 8,35 x 7,20 m)							
Lengths of swing-away lattice extension 13,0 m							
Angle of swing-away lattice extension 0°							
Main boom - fixed lengths in m							
	27.0	27.1		34.9	35.2	39.0	43.0
Tel. sec. I	1.0	0.0		1.0	0.0	1.0	1.0
Tel. sec. II	0.5	1.0		1.0	1.0	1.0	1.0
Tel. sec. III	0.5	1.0		1.0	1.0	1.0	1.0
Tel. sec. IV	0.0	0.0		0.0	1.0	0.5	1.0
Slewing range	360°						
Radius in m	Lifting capacity in t						
5.0	6.2	6.2					
6.0	6.2	6.2		5.8	4.7		
7.0	6.2	6.2		5.8	4.7	4.7	
8.0	6.1	5.9		5.7	4.7	4.7	3.7
9.0	5.7	5.6		5.5	4.7	4.7	3.7
10.0	5.4	5.3		5.3	4.7	4.7	3.7
11.0	5.1	5.0		5.1	4.7	4.7	3.7
12.0	4.9	4.8		4.9	4.5	4.7	3.7
13.0	4.6	4.6		4.8	4.4	4.5	3.7
14.0	4.4	4.4		4.6	4.2	4.4	3.7
15.0	4.2	4.2		4.4	4.1	4.3	3.7
16.0	4.0	4.0		4.3	4.0	4.2	3.7
18.0	3.7	3.7		4.0	3.7	3.9	3.7
20.0	3.4	3.4		3.7	3.5	3.7	3.6
22.0	3.2	3.2		3.5	3.3	3.5	3.4
24.0	3.0	3.0		3.3	3.1	3.3	3.3
26.0	2.8	2.8		3.1	3.0	3.1	3.1
28.0	2.6	2.6		2.9	2.8	3.0	3.0
30.0	2.5	2.4		2.8	2.7	2.8	2.8
32.0	2.3	2.3		2.4	2.6	2.5	2.7
34.0	2.1	2.2		1.9	2.4	2.1	2.3
36.0	1.7	2.1		1.5	2.3	1.7	1.9
38.0				1.1	2.2	1.3	1.5
40.0				0.8	2.0	1.0	1.2
42.0				0.5	1.7	0.7	0.9
44.0					1.4		0.6
SLI Code	430						





# KRUPP GMK 4080

## 80 Tonne Mobile Hydraulic Crane



Crane with 15,8 t counterweight (Supporting span 8,35 x 7,20 m)							
Lengths of swing-away lattice extension 13,0 m							
Angle of swing-away lattice extension 16°							
Main boom - fixed lengths in m							
	27.0	27.1		34.9	35.2	39.0	43.0
Tel. sec. I	1.0	0.0		1.0	0.0	1.0	1.0
Tel. sec. II	0.5	1.0		1.0	1.0	1.0	1.0
Tel. sec. III	0.5	1.0		1.0	1.0	1.0	1.0
Tel. sec. IV	0.0	0.0		0.0	1.0	0.5	1.0
Slewing range	360°						
Radius in m	Lifting capacity in t						
7.0	4.4	4.3					
8.0	4.2	4.1		4.1			
9.0	4.0	4.0		4.0	3.8		
10.0	3.9	3.8		3.9	3.7	3.7	
11.0	3.7	3.7		3.7	3.6	3.6	3.5
12.0	3.6	3.5		3.6	3.5	3.5	3.4
13.0	3.4	3.4		3.5	3.4	3.5	3.3
14.0	3.3	3.3		3.4	3.3	3.4	3.3
15.0	3.2	3.2		3.3	3.2	3.3	3.2
16.0	3.1	3.1		3.2	3.1	3.2	3.1
18.0	2.9	2.9		3.1	3.0	3.0	3.0
20.0	2.8	2.7		2.9	2.8	2.9	2.9
22.0	2.6	2.6		2.8	2.7	2.8	2.8
24.0	2.5	2.5		2.7	2.6	2.7	2.7
26.0	2.4	2.4		2.6	2.5	2.6	2.6
28.0	2.3	2.3		2.5	2.4	2.5	2.5
30.0	2.2	2.2		2.4	2.3	2.4	2.4
32.0	2.1	2.1		2.3	2.3	2.3	2.3
34.0	2.1	2.1		2.2	2.2	2.3	2.3
36.0	1.7	2.1		1.7	2.1	1.9	2.1
38.0				1.3	2.1	1.5	1.7
40.0				0.9	2.1	1.2	1.4
42.0				0.6	1.8	0.8	1.0
44.0					1.4	0.5	0.8
SLI Code	431						